

CAPILLARY TEE PIECE

(ABSG022 - 25mm)



BISSON
THE PIPE FITTINGS EXPERTS

Used to connect the aspirating pipe to 10mm OD flexible nylon tubing.

Installation Instructions:

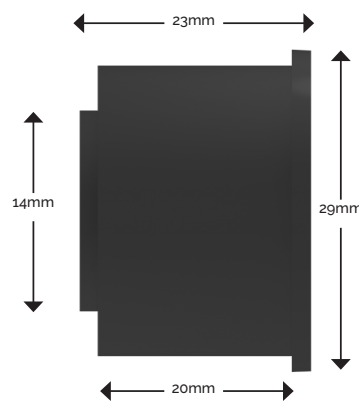
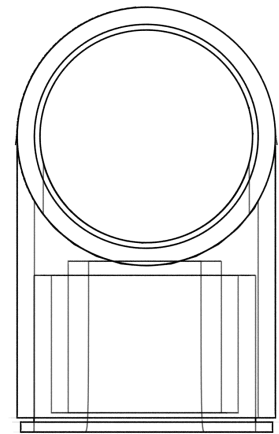
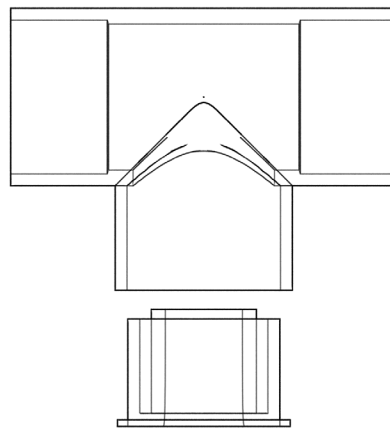
Use the correct solvent Plusbond 3019. Do not paint. Keep pipe clean and free from dust. Do not install in direct sunlight. Only install with approved pipe. Do not use solvents to clean, only soapy water.

OPERATING TEMPERATURE:
-40°C to 70°C

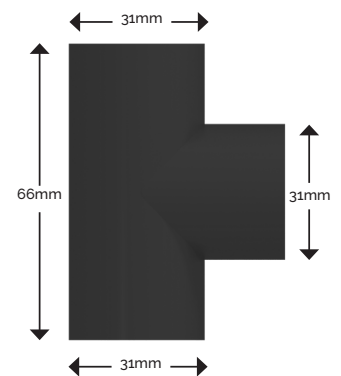
PART NO.:
ABSG022 - 25mm

FITTING COLOR:
Grey

DIAMETER TOLERANCE:
+/- 0.15mm



CAPILLARY ADAPTOR



TEE FRONT ELEVATION

