

TEE TEST POINT

(WHABS023-TP - 25mm)



BISSON
THE PIPE FITTINGS EXPERTS

Used when the system has to be periodically tested. The capillary Tee piece is installed in the pipe run at the easily accessible position. It has a removable protection cap which fits over the nylon tubing when the system is being used normally. When testing is required simply remove the protective cap, test and replace once completed.

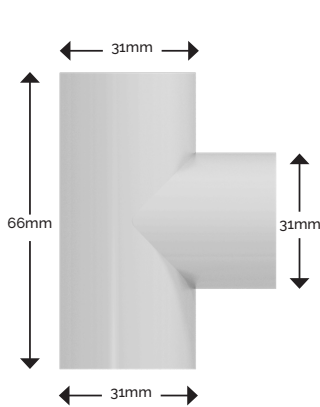
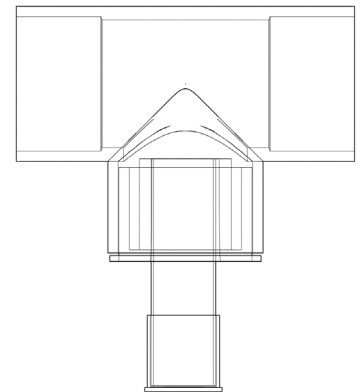
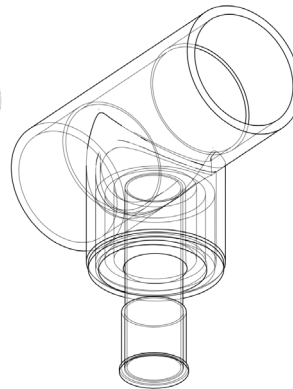
Installation Instructions:

Use the correct solvent Plusbond 3019. Do not paint. Keep pipe clean and free from dust. Do not install in direct sunlight. Only install with approved pipe. Do not use solvents to clean, only soapy water.

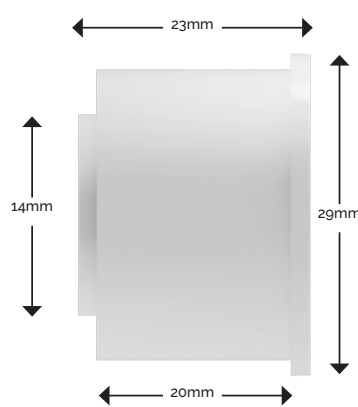
PART NO.:
WHABS023-TP - 25mm

FITTING COLOR:
White

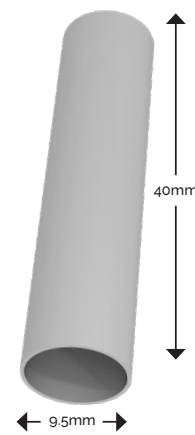
DIAMETER TOLERANCE:
+/- 0.15mm



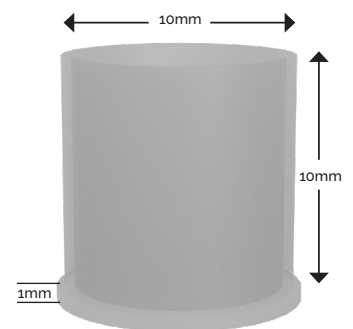
TEE ADAPTOR



CAPILLARY ADAPTOR



NYLON TUBE



PROTECTION CAP

