

# INLINE SIGHT GLASS WITH DRAIN

(WHABS041 - 25mm)



**BISSON**  
THE PIPE FITTINGS EXPERTS

Used to drain condensation from the system, the sight glass allows the operator to view the level of condensation in the system, and remove the threaded stopper to release the water. Simply replace after use.

## Installation Instructions:

Use the correct solvent Plusbond 3019. Do not paint. Keep pipe clean and free from dust. Do not install in direct sunlight. Only install with approved pipe. Do not use solvents to clean, only soapy water.

**PART NO.:**  
WHABS041 - 25

**PIPE COLOUR:**  
Transparent

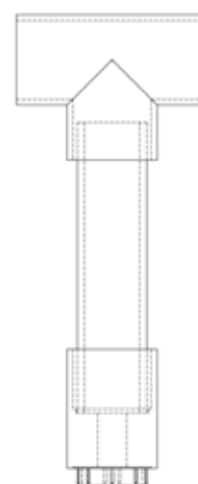
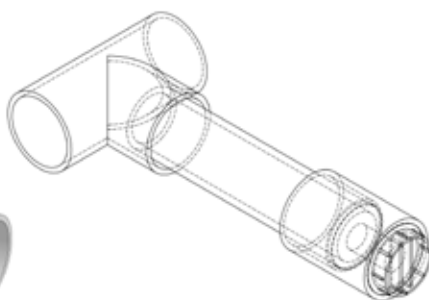
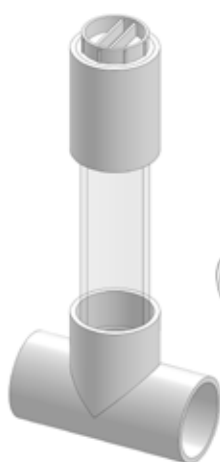
**OPERATING TEMP:**  
- 40 c to 70 c'

**WEIGHT:**  
57.2g

**FITTINGS COLOUR:**  
White

**DIAMETER TOLERANCE:**  
+ / - 0.15mm'

**WALL THICKNESS:**  
2mm



Side Elevation



Front Elevation

