

THREADED SOCKET TEST POINT

(WHABS038 - 25mm)



BISSON
THE PIPE FITTINGS EXPERTS

This component is used when the system needs to be smoke tested. The threaded plug is removed, which allows the smoke generator to gain access to the system. Simply replace after use.

Installation Instructions:

Use the correct solvent Plusbond 3019. Do not paint. Keep pipe clean and free from dust. Do not install in direct sunlight. Only install with approved pipe. Do not use solvents to clean, only soapy water.

PART NO.:
WHABS038 - 25mm

PIPE COLOUR:
White

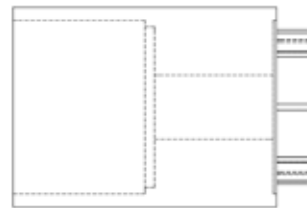
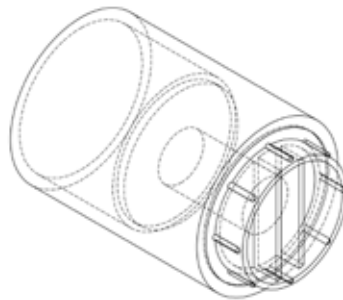
OPERATING TEMP:
- 40 c to 70 c'

WEIGHT:
17.6g

FITTINGS COLOUR:
White

DIAMETER TOLERANCE:
+ / - 0.15mm'

WALL THICKNESS:
2mm



Side Elevation



Front Elevation

