

# CAPILLARY TEE PIECE

(ABSLG022 - 25mm)



**BISSON**  
THE PIPE FITTINGS EXPERTS

Used to connect the aspirating pipe to 10mm OD flexible nylon tubing.

## Installation Instructions:

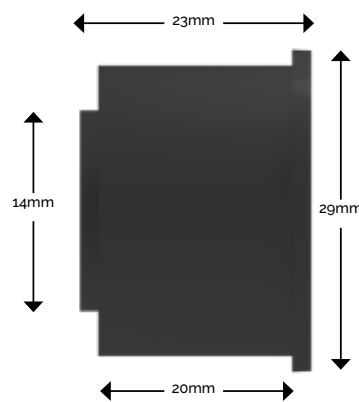
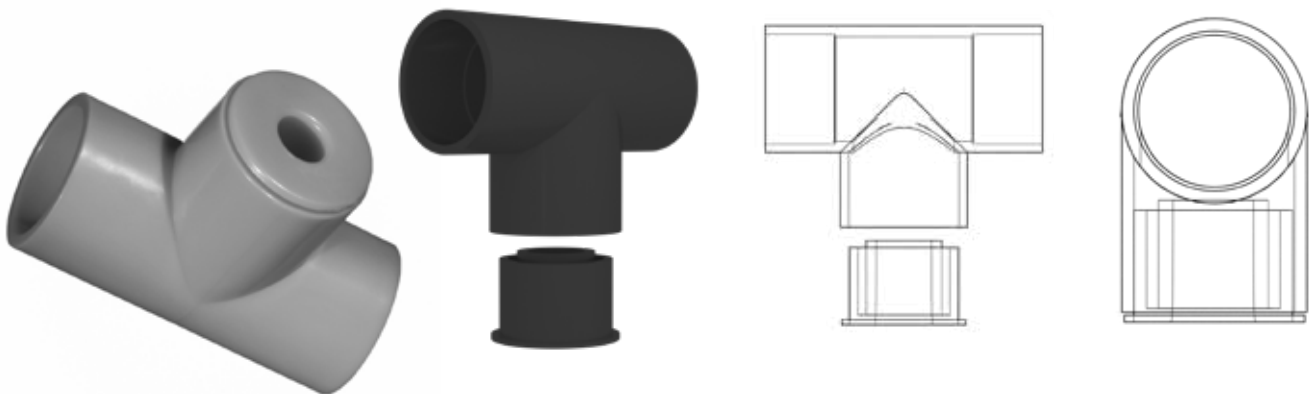
Use the correct solvent Plusbond 3019. Do not paint. Keep pipe clean and free from dust. Do not install in direct sunlight. Only install with approved pipe. Do not use solvents to clean, only soapy water.

**OPERATING TEMPERATURE:**  
-40°C to 70°C

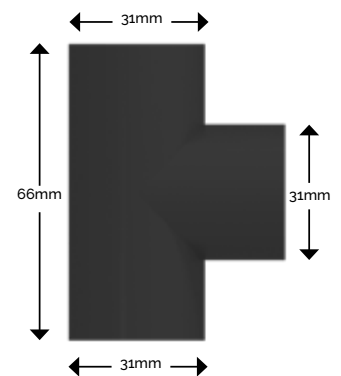
**PART NO.:**  
ABSLG022 - 25mm

**FITTING COLOR:**  
Light Grey

**DIAMETER TOLERANCE:**  
+/- 0.15mm



CAPILLARY ADAPTOR



TEE FRONT ELEVATION

