

1 WAY BALL VALVE

(ABSG1WV - 25mm)



This component is used to isolate certain area's of the pipe run if required, pipe can be attached on one side only using the union.

Installation Instructions:

Use an ABS Pipe cement. Do not paint. Keep pipe clean and free from dust. Do not install in direct sunlight. Only install with approved pipe. Do not use solvents to clean, only soapy water.

PART NO.:
ABSG1WV - 25

PIPE COLOUR:
Grey

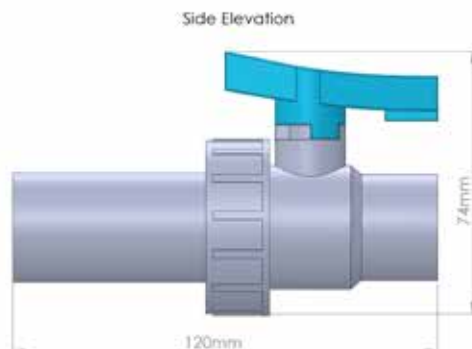
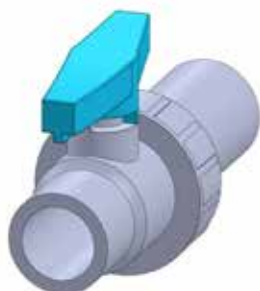
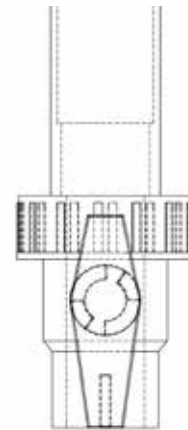
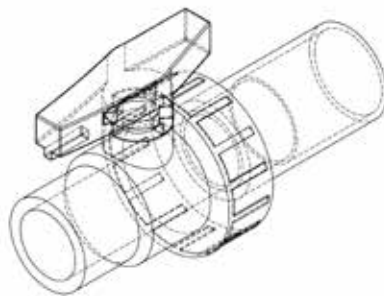
OPERATING TEMP:
- 40 c to 70 c'

**INSIDE
DIAMETER:**
21mm

FITTINGS COLOUR:
Grey

DIAMETER TOLERANCE:
+ / - 0.15mm'

WALL THICKNESS:
2mm



Front Elevation

